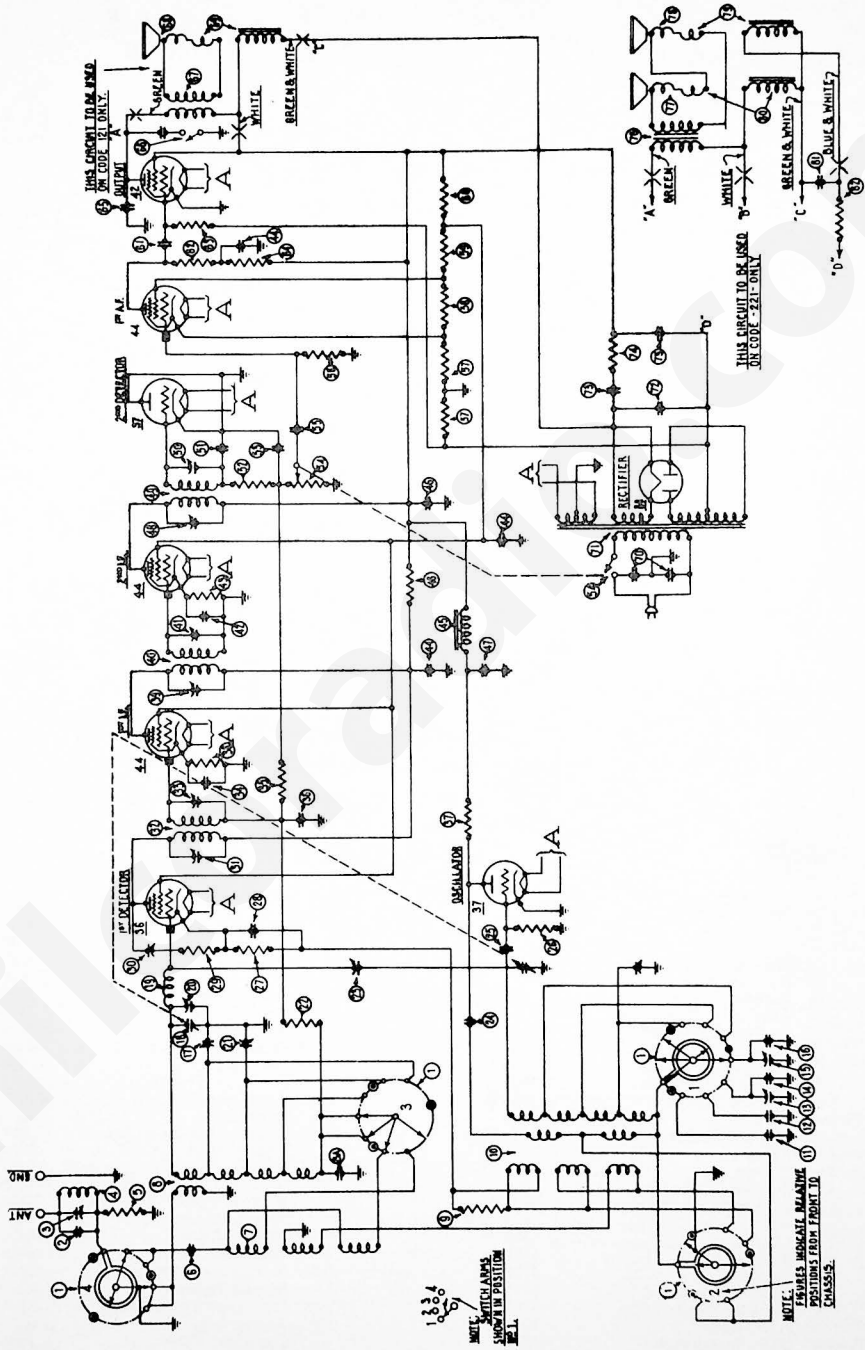


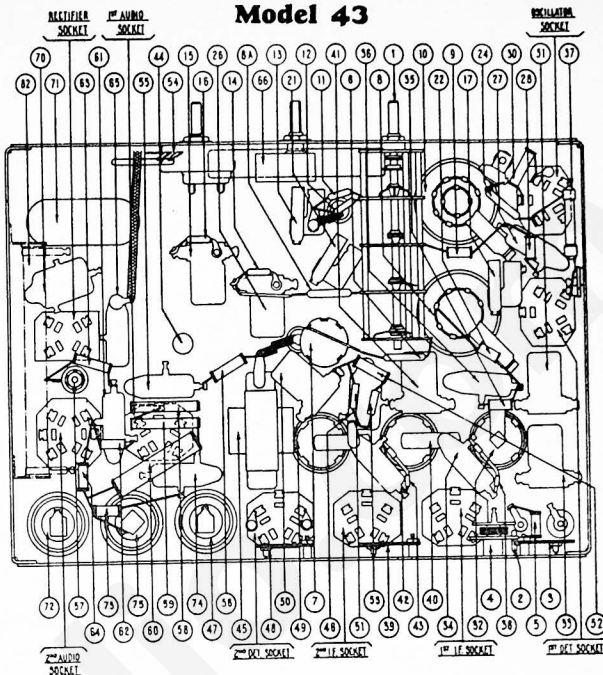
# Model 43



# Replacement Parts

## Model 43

## Model 43



No. on Figs. 2 and 3	Description	Part No.
①	Wave Change Switch	05617
②	Condenser (410 mmf.)	5120
③	Compensating Condenser—450 K. C. Wave Trap	04000B
④	R. F. Choke	05191
⑤	Resistor (2,000 ohms)	6984
⑥	Condenser (1000 mmf.)	5215
⑦	Antenna Coupling Coil	05189
⑧	Antenna Transformer*	06404
⑨	Condenser (3,000 mmf.)	6009
⑩	Resistor (1,000 ohms)	5837
⑪	Oscillator Coil*	05624
⑫	Condenser (1,650 mmf.)	5877
⑬	Condenser (1,250 mmf.)	5886
⑭	Compensating Condenser—1400 K. C. End of Second Band	04000F
⑮	Condenser (250 mmf.)	3082
⑯	Compensating Condenser—600 K. C. End of First Band	04000F
⑰	Condenser (250 mmf.)	3082
⑱	Compensating Condenser—8 Megacycle End Third Band	04000V
⑲	Tuning Condenser Assembly	05154
⑳	Grid Coil (Top of Chassis)	05190
㉑	Compensating Condenser (Part of Tuning Cond. Assembly)	
㉒	Compensating Condenser (3.5 Megacycle End of Second Band)	04000V
㉓	Resistor (99,000 ohms)	4411
㉔	Neutralizing Condenser (Top of Chassis)	04000V
㉕	Condenser (1000 mmf.)	5837
㉖	Condenser (50 mmf.) (Top of Chassis)	3774
㉗	Resistor (490,000 ohms)	4517
㉘	Compensating Condenser (1400 K. C. End of First Band)	04000F
㉙	Resistor (25,000 ohms)	4516
㉚	Condenser (.05 mfd.)	3615E
㉛	Resistor (500 ohms)	6977
㉜	Compensating Condenser	04000C
㉝	Compensating Condenser—1st I. F. Primary	04000M
㉞	First I. F. Transformer	05185
㉟	Compensating Condenser—1st I. F. Secondary	04000M
㊱	Condenser (.05 mfd.)	3615W
㊲	Resistor (2,000,000 ohms)	5872
㊳	Condenser (.05 mfd.)	3615J
㊴	Resistor (10,000 ohms)	3524
㊵	Resistor (500 ohms)	6977
㊶	Compensating Condenser—2nd I. F. Primary	04000M
㊷	Second I. F. Transformer	05185
㊸	Compensating Condenser—2nd I. F. Secondary	04000X
㊹	Condenser (.05 mfd.)	3615W
㊺	Resistor (500 ohms)	6977
㊻	Filter Condenser Bank (.25, 2-5 mfd.)	05239
㊼	Filter Choke	5930
㊽	Condenser (.05 mfd. and Resistor 250 ohms)	3615AS
㊾	Electrolytic Condenser	7556
㊿	Compensating Condenser—3rd I. F. Primary	04000M
1	Third I. F. Transformer	05185
2	Compensating Condenser—3rd I. F. Secondary	04000M
3	Condenser (110 mmf.)	4519
4	Resistor (99,000 ohms)	4411
5	Condenser (110 mmf.)	4519
6	Volume Control and On-Off Switch	6892
7	Condenser (.01 mfd.)	3903F
8	Resistor (1,000,000 ohms)	4409
9	Wire Wound Resistor (185 and 245 ohms)	6452
10	Resistor (5,000 ohms)	3526
11	Resistor (5,000 ohms)	3526
12	Resistor (13,000 ohms)	6450
13	Condenser (.01 mfd.)	3903N
14	Resistor (70,000 ohms)	5385
15	Resistor (490,000 ohms)	4517
16	Resistor (25,000 ohms)	4516
17	Condenser (.01 mfd.)	3903AA
18	Tone Control	05174

19	Output Transformer	2550
20	Voice Coil and Cone Assembly	02823
21	Speaker Field and Bucking Coil Assembled with Pot (K-7)	02761
22	Condenser (.015 mfd. Double)	3793K
23	Power Transformer—50-60 Cycles, 115 Volts, Single Speaker Models	7074
24	25-40 Cycles, 115 Volts, Single Speaker Models	7075
25	50-60 Cycles, 230 Volts, " "	7076
26	50-60 Cycles, 115 Volts, Twin Speaker Models	6985
27	50-60 Cycles, 230 Volts, " "	6986
28	Electrolytic Condenser (6 mfd.) 50-60 Cycles	4916
29	Electrolytic Condenser (8 mfd.) 25-40 Cycles	6707
30	Resistor (10,000 ohms)	4412
31	Condenser (.05 mfd.)	3615AD
32	Electrolytic Condenser (6 mfd.) 50-60 Cycles	4916
33	Electrolytic Condenser (8 mfd.) 25-40 Cycles	6706
34	Output Transformer—Twin Speaker	2564
35	Voice Coil and Cone Assembly	02823
36	Voice Coil and Cone Assembly	02823
37	Speaker Field and Bucking Coil Assembled with Pot (K-9)	02762
38	Speaker Field and Bucking Coil Assembled with Pot (K-10)	02767
39	Condenser (.5 mfd.)	05150
40	Wire Wound Resistor (5,620 ohms) Twin Speaker Tube Shield	6451
41	Knob (Large)	03063
42	Knob (Medium)	03064
43	Knob (Small)	03437
44	Knob Spring (Large)	5262
45	Knob Spring (Small)	4147
46	Grid Clip	4897
47	Four Prong Socket Assembly	5026
48	Five Prong Socket Assembly	4956
49	Six Prong Socket Assembly	6417
50	Dial Complete	05418
51	Bezel	6826
52	Tuning Condenser Drive Cord	04834
53	Spring	6508
54	Chassis Mounting Screw	W-468
55	Mounting Washer	W-315
56	Rubber Washer	5189

\*Supplied in matched pair—Antenna and oscillator coils.